

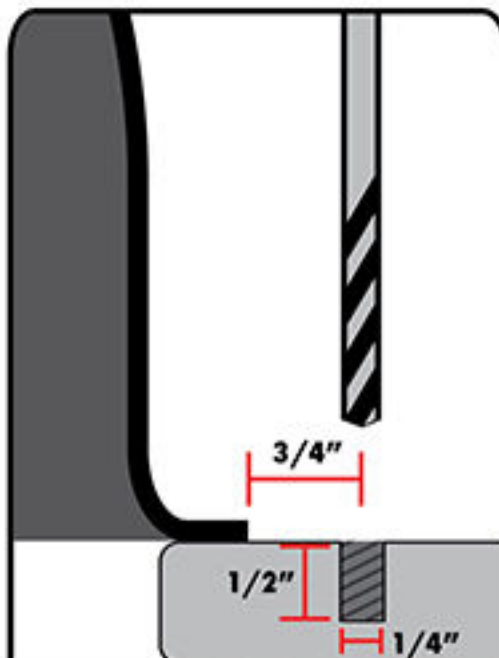
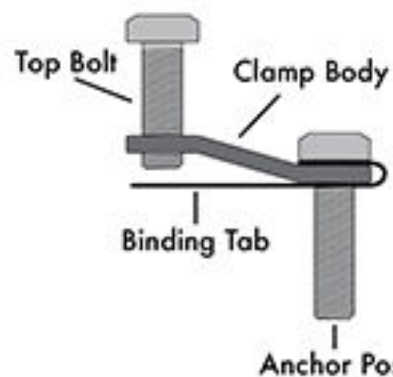
# Sinkits Sink Clamps - Undermount Sink Installation Instructions



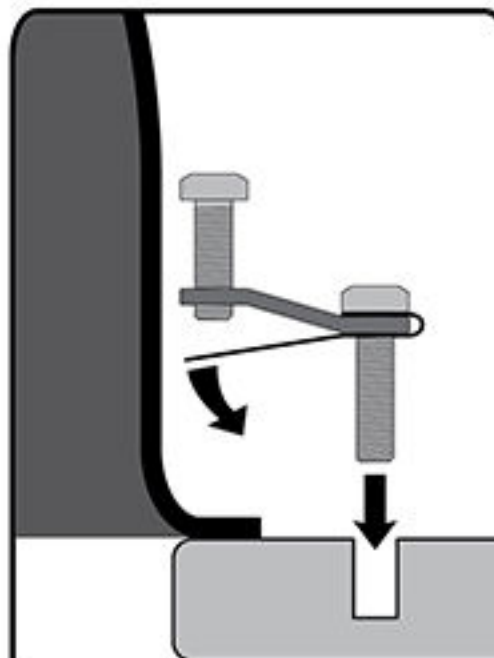
**SAVE TIME AND MONEY!**

Learn about all our products and watch installation videos at:

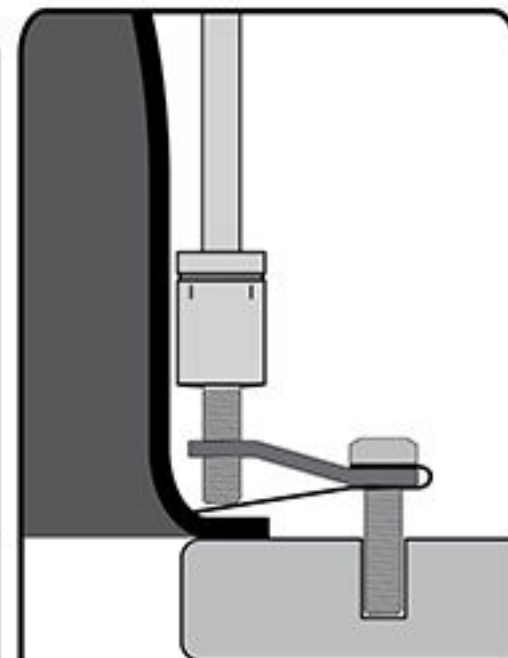
[www.sinkits.com](http://www.sinkits.com)



**Step 1:** Mark the locations to be drilled approximately  $\frac{3}{4}$ " from the edge of sink rim. Bore a  $\frac{1}{4}$ " diameter hole to a minimum depth of  $\frac{1}{2}$ " at each marked location. A preferred depth of  $\frac{3}{4}$ " is allowed on thicker countertops.



**Step 2:** Pre-load the binding tab by bending it away from the clamp body and fully insert the anchor post into the hole. The clamp does not need to be flush to work.



**Step 3:** Tighten the top bolt against the sink rim taking care not to over-tighten.

Please note: The countertop is shown upside down in these installation instructions, but sinks can be mounted from underneath as well.

Installation Tip: Use a drill with a minimum speed of 3,000 RPM.

Disclaimer and limitation of liabilities: Sinkits sink clamps are designed for the purpose of attaching undermount sinks to solid surfaces such as stone, quartz or products of similar characteristics. The end user must determine the number of clamps and placement required to properly complete the task and that the material the clamps are being inserted into has the characteristics needed to support the product being attached. Persons installing Sinkits must be familiar with the process of undermounting sinks beneath countertops and that person assumes the responsibility of insuring the clamps are properly secured. All responsibility as to the appropriate use of this product is the responsibility of the user. This product is intended to be used by professional personnel who are competent to evaluate the limitations and proper placement and application of its intended use and that person should accept the responsibility that the product is adequately installed.