

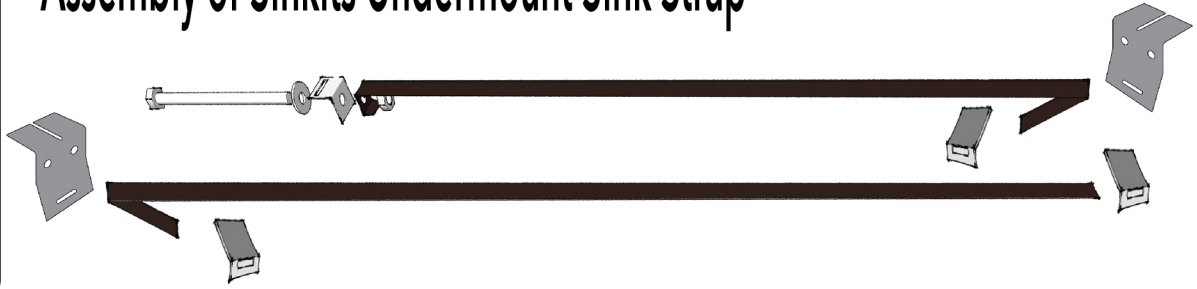


SAVE TIME AND MONEY!

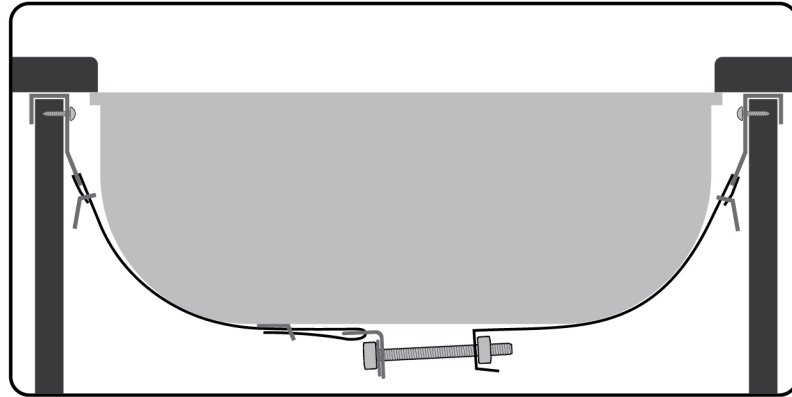
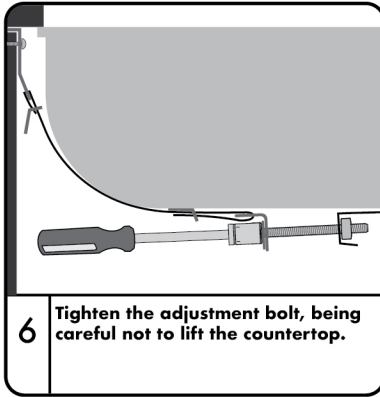
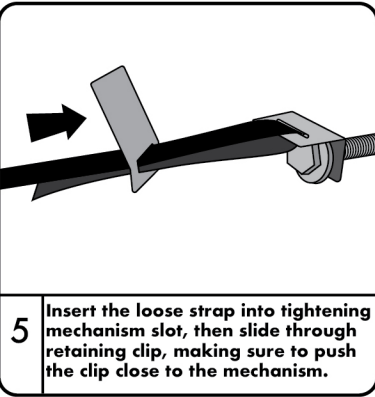
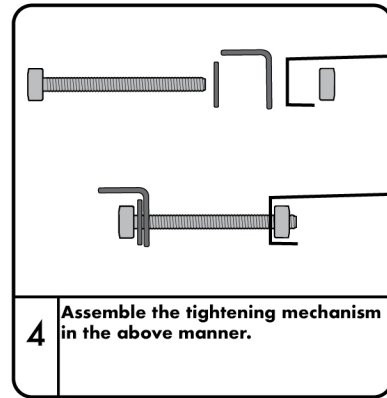
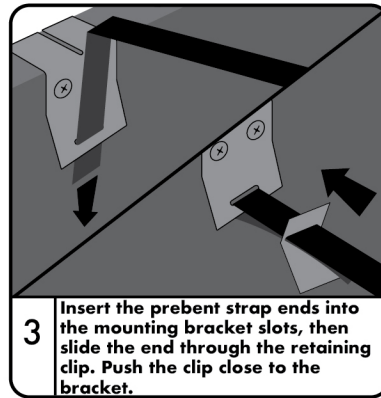
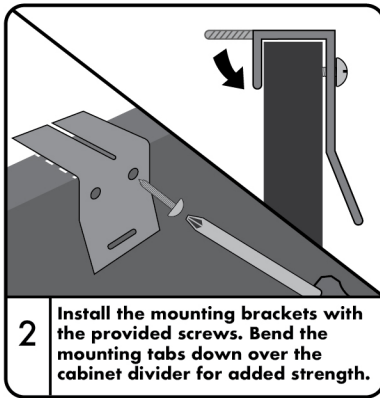
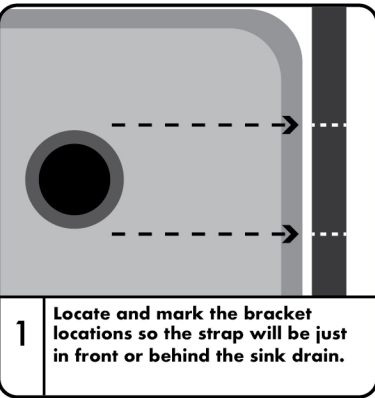
Learn about all our products and watch installation videos at:

www.sinkits.com

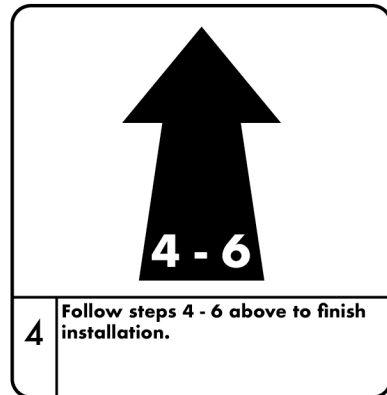
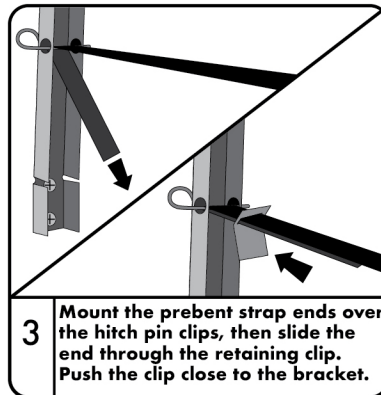
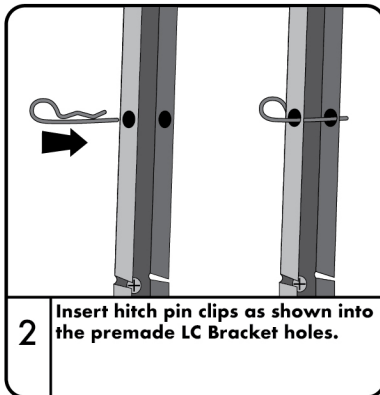
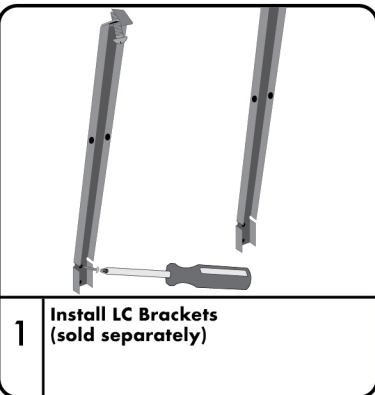
Assembly of Sinkits Undermount Sink Strap



Sinkits Undermount Sink Strap Installation Instructions



Sinkits Sink Strap with LC Bracket Instructions *(LC Bracket sold separately)*



Disclaimer and limitation of liabilities: Sinkits Sink Straps are designed for the purpose of attaching undermount sinks to solid surfaces such as stone, quartz or products of similar characteristics. The end user must determine the number of Sink Straps required to properly complete the task and that the material the Sink Strap screws are being inserted into has the characteristics needed to support the product being attached. Persons installing Sinkits Sink Straps must be familiar with the process of undermounting sinks beneath counter tops and that person assumes the responsibility of insuring the Sink Straps are properly secured. All responsibility as to the appropriate use of this product is the responsibility of the user. This product is intended to be used by professional personnel who are competent to evaluate the limitations and proper placement and application of its intended use and that person should accept the responsibility that the product is adequately installed.